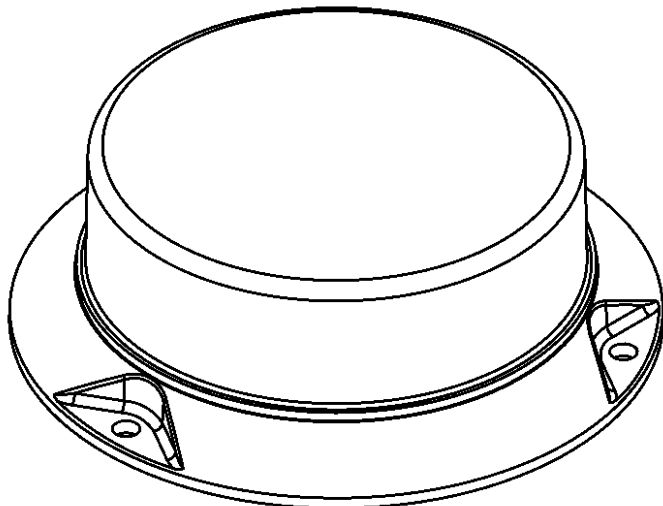


221ZL

Low Profile 360° Class 1 Beacon

featuring the



Hardwire Models : +12/24VDC

Cig Plug Models : +12VDC only



This light uses high-intensity lights. DO NOT stare directly into the light while it is on, as momentary blindness and/or permanent eye damage may occur.



PROUDLY MADE IN THE USA
An ISO 9001:2015 Certified Company

STAR

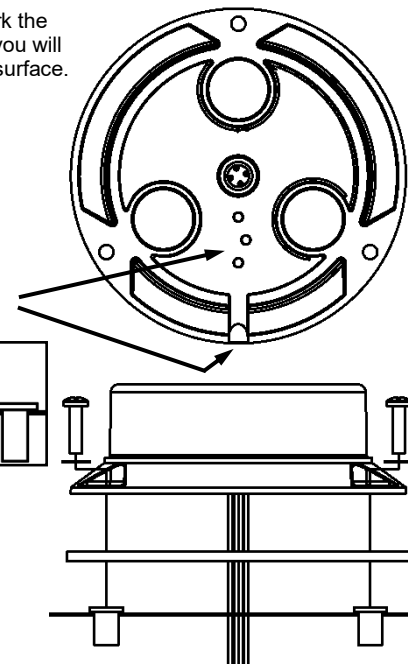
Safety Technologies by *Crote*

455 Rochester Street Avon, NY 14414
585-226-9500 (F) 888-478-2797
www.StarSafetyTechnologies.com

PLIT623 REV. A 2/15/24

Permanent Mounting

1. Using the light (or gasket) as a template, mark the three mounting holes. Mark a center hole if you will be running your wires through the mounting surface.
2. Drill a 3/16" hole in the marked spots for the screws. If you are routing your wires through the mounting surface, drill a 5/16" hole in the center location to route the wires through.
3. If you will be routing the wires between the mounting surface and the light, knock out the tab in the base to allow the wires an exit point. Route your wires around the pins and through the knockout.
4. If using well nuts, push them through the mounting holes until the bottom side of the wider lip rests on the surface of the vehicle.
5. Place the gasket over the mounting holes.
6. Route the wires through the center hole (if applicable) and secure the light with included hardware.



Magnet Mounting

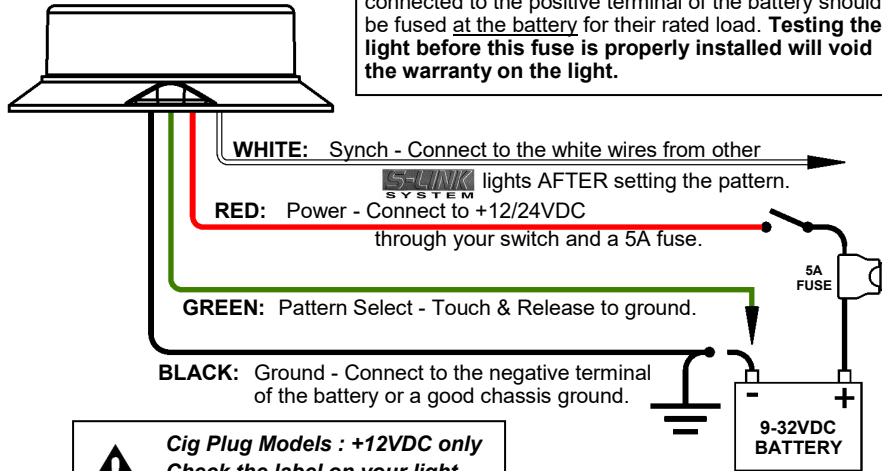
WARNING!!! Care should be taken when positioning any warning light on the roof, dash, or instrument panel of the vehicle, so that the light and/or cord does not interfere with the proper operation of any airbags! Failure to heed this warning may result in serious or fatal injury.

If you are mounting the light on the roof of your vehicle, take extreme care to ensure that the magnet is firmly seated on your roof, and that the pull of the magnet is sufficient to secure the light in place. As the composition of the metal in the roofs of different vehicles may vary, as well as the contour, texture, and/or condition, Star cannot guarantee the ability of the light to remain in place upon a moving vehicle. It is the sole responsibility of the owner to ensure the warning light is secure.

- **CAUTION:** Please be sure to check that your cigarette plug outlet is properly fused. **Testing the light before this fuse is properly installed will void the warranty on the light.**
- If the light fails to work when the plug is inserted into the cigarette plug socket, twist the plug a few times to remove any ash or other deposits which might be preventing a good contact from being made. If the problem persists, check for a fuse inside of the plug itself. If present, remove the fuse from the circuit, check to see if it has blown, and clean the lighter socket and contact surfaces. Reconnect the fuse and test the light again.

Permanent Mount Wiring

CAUTION !! All of our DC powered warning lights are polarity sensitive. These lights are polarity protected *only if the appropriate fuse* is used. All wires connected to the positive terminal of the battery should be fused **at the battery** for their rated load. **Testing the light before this fuse is properly installed will void the warranty on the light.**



! Cig Plug Models : +12VDC only Check the label on your light for proper operating voltage !!

Pattern Programming

Depending upon your model, pressing the pattern select button on the cig plug, or touching and releasing the **GREEN wire** to GROUND on hard-wired models, will scroll through the flash patterns.



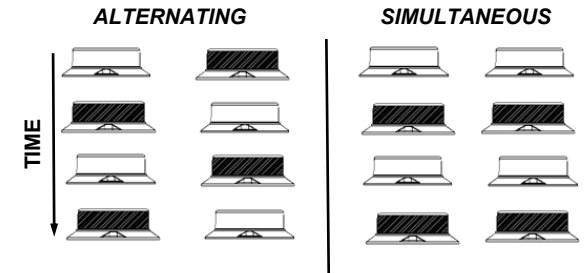
Phase 1 Flash Pattern	Phase 2 Flash Pattern	Pattern Type	Pattern Description	Shortcuts
1	13	K	Flicker †	Pattern 1 (Phase 1): 3 sec or 1 flash
2	14	L	Fast Doubleflash	Pattern 13 (Phase 2): 9 sec or 3 flashes
3	15	M	Tripleflash †	
4	16	A3	Fast Quadflash †	Pattern 4 (Phase 1): 6 sec or 2 flash
5	17	A4	Fast Doubleflash †	
6	18	F	Quadflash †	Pattern 16 (Phase 2): 12 sec or 4 flashes
7	19	G	Quadflash w/Post-Pop †	
8	20	H	Singleflash †	
9	21	I	Doubleflash †	
10	22	N/A	Variable AKA Delta-Omega	
11	23	C	Post pop †	
12	24	N/A	Random	
NA			Steady	18 Sec/5 Blinks

† - SAE Approved Patterns when properly configured

Note: After programming the flash pattern, cut short and tape or cap off the GREEN wire so that it does not come into contact with ground or power.

Synchronization

You can synchronize up to 10 lights with **SP-LINK SYSTEM** compatibility.



DO NOT CONNECT WHITE WIRES UNTIL PROGRAMMING HAS BEEN COMPLETED FOR ALL LIGHTS!!

1. Program the first unit.
2. Program the second light with the same **Pattern Type**.
 - Lights with the SAME phase flash together (simultaneous).
 - Lights with DIFFERENT phases flash opposite one another (alternate).
3. After programming all lights, cap off the green wires.
4. With the power off, connect the white wires together.
5. Test the lights by applying power to all of them at the same time.

Service

LED FIVE YEAR LIMITED WARRANTY

Star Safety Technologies warrants this LED light against factory defects in material and workmanship for five years after the date of manufacture. The owner will be responsible for returning to the Service Center any defective item(s) with the transportation costs prepaid. The manufacturer will, without charge, repair or replace *at its option*, products, or part(s), which its inspection determines to be defective. Repaired or replacement item(s) will be returned to the purchaser with transportation costs prepaid from the service point. A copy of the purchaser's receipt must be returned with the defective item(s) in order to qualify for the warranty coverage. Exclusions from this warranty include, but are not limited to, domes, and/or the finish. This warranty shall not apply to any light, which has been altered, such that in the manufacturer's judgment, the performance or reliability has been affected, or if any damage has resulted from abnormal use or service.

There are no warranties expressed or implied (including any warranty of merchantability or fitness), which extend this warranty period. **The loss of use of the product, loss of time, inconvenience, commercial loss or consequential damages, including costs of any labor, are not covered.** Star reserves the right to change the design of the product without assuming any obligation to modify any product previously manufactured.

This warranty gives you specific legal rights. You might also have additional rights that may vary from state to state. Some states do not allow limitations on how long an implied warranty lasts. Some states do not allow the exclusion or limitation of incidental or consequential damages. Therefore, the above limitation(s) or exclusion(s) may not apply to you.

If you have any questions concerning this or any other product, please contact our **Customer Service Department** at (585) 226-9787.

If a product must be returned for any reason, please contact our Customer Service Department to obtain a Returned Materials Authorization number (RMA #) before you ship the product back. Please write the RMA # clearly on the package near the mailing label.